

Product Data Sheet

Spike Stopper™ 100 kA

Application: Commercial and Industrial



Applicable Standards: IEEE C62.72-2016, ANSI/IEEE C62.41.1 & C62.41.2-2002, ANSI/IEEE C62.62-2018 environments: Suitable for Categories: A, B & C (Most Severe Electrical Environments); UL 1283 EMI Filters, NFPA 780 & UL 96A Lightning Protection Systems; National Electrical Code, Art. 285, 700.10 & 708.20; CSA C22.2 No. 269.1-14 or No. 269.2-13, CSA C22.2 No. 8-13

IEC Environments: Suitable for use in IEC 61643-11 environments as a Class 2 SPD.

ANSI/UL 1449 SPD Types: Standard Type 2. Type 1 SPDs available upon request

Circuit Design: Parallel-configured hybrid circuit design incorporating component-level thermal disconnection technology. Surge Eraser™ Technology models include Advanced Surge Filtering and the Standard Clamping Circuitry.

Protection Modes: 4 Mode

Nominal Discharge Current (I_n) Rating: 20 kA

Enclosure: See Enclosure Options page 2

Diagnostics: Green LED, normally on. One per phase. When the LED is off, this indicates power is off and/or the unit needs to be replaced.

Product Certifications: UL 1449 Fourth Edition

Short Circuit Current Rating: 200 kA

Temperature Rating: -40 to 65°C

Warranty: Five-Year Limited Warranty

Options
Surge Eraser™ Technology
Basic Internal Audible Alarm
Advanced Internal Audible Alarm W/ Test & Mute
Internal Surge Counter that tracks up to 1 million surges before resetting
Dry Relay Contacts in enclosure
Additional options may be available upon request.

MEASURED LIMITING VOLTAGE PERFORMANCE AND ELECTRICAL SPECIFICATIONS

Circuit Type	Peak Surge Current (Amps) Per Mode & Per Phase	MCOV	ANSI/IEEE C62.41.1™-2002, C62.45™-2000 and C62.62™-2018 Measured Limiting Voltages (tested with 6 inches of lead length external to the enclosure per C62.62™-2018 and ANSI/UL 1449)				
			Test Mode	UL 1449 VPR (Without Surge Eraser™ Technology)	UL 1449 VPR (With Surge Eraser™ Technology)	Cat A, 30 Ω 100 kHz Ring Wave 2 kV / 67 A @ 270° Phase Angle (With Optional Surge Eraser™ Technology)	Category C (High) 10 kA 8/20 Current Driven Test†
120 V, Single Ø (2 wire + ground)	100,000	150	L-N	600	600	54 V	1,068 V
		150	N-G	600	700	78 V	1,431 V
		-	L-G	1200	1500	-	-
120/240 V, Split Ø (3 wire + ground)	100,000	150	L-N	600	600	54 V	1,068 V
		150	N-G	600	700	78 V	1,431 V
		-	L-G	1200	1500	-	-
120/208 V, 3ØY (4 wire + ground)	100,000	150	L-N	600	600	54 V	1,068 V
		150	N-G	600	700	78 V	1,431 V
		-	L-G	1200	1500	-	-
120/240 V, 3ØΔ (4 wire + ground)	100,000	150	L-N	600	600	54 V	1,068 V
		150	N-G	600	700	78 V	1,431 V
		-	L-G	1200	1500	-	-
120/240 V, 3ØΔ (4 wire + ground)	100,000	320	HL-N	1000	1200	59 V	1,334 V
		-	HL-G	1800	2000	-	-
		-	HL-L	1800	1800	-	-
		-	L-L	1200	1200	-	-
		-	L-N	900	1200	59 V	1,334 V
		-	N-G	900	1200	78 V	1,721 V
277/480 V, 3ØY (4 wire + ground)	100,000	-	L-L	1800	2500	-	-
		-	L-G	1800	2500	-	-
		-	L-N	900	1200	59 V	1,334 V
240 V, 3ØΔ (3 wire + ground)	100,000	-	L-L	2500	2500	62 V	-
		320	L-G	1200	1200	-	1,304 V
480 V, 3ØΔ (3 wire + ground)	100,000	-	L-L	4000	4000	104 V	-
		550	L-G	1800	1800	-	2,144 V

Measured Limiting Voltage (MLV) Test Parameters: Positive polarity, Category A: Line power applied, Category C: No line power applied, Voltages are peak (±10%). Measured Limiting Voltages are measured from the insertion point on the sine wave to the peak of the surge for powered tests. Each phase is the average of the modes within that mode of protection. In order to duplicate the results, the specified mode of protection must be tested in all modes (except N-G) and averaged together. (Individual mode or shot results may vary by more than 10%. Scope Settings: Time Base = 10 microseconds per division, Sampling Rate = 2.5 Giga-samples/sec, Bandwidth = 400 MHz (200 MHz for Cat C), Probes: Tektronix P5100/P6015A. These settings help to assure MLV results are accurate). **All tests performed with 6" lead length (external to the enclosure), simulating actual installed performance.** The MLVs reported above are certified by Third-Party, Independent Testing. Individual test reports are available upon request.

Product Data Sheet

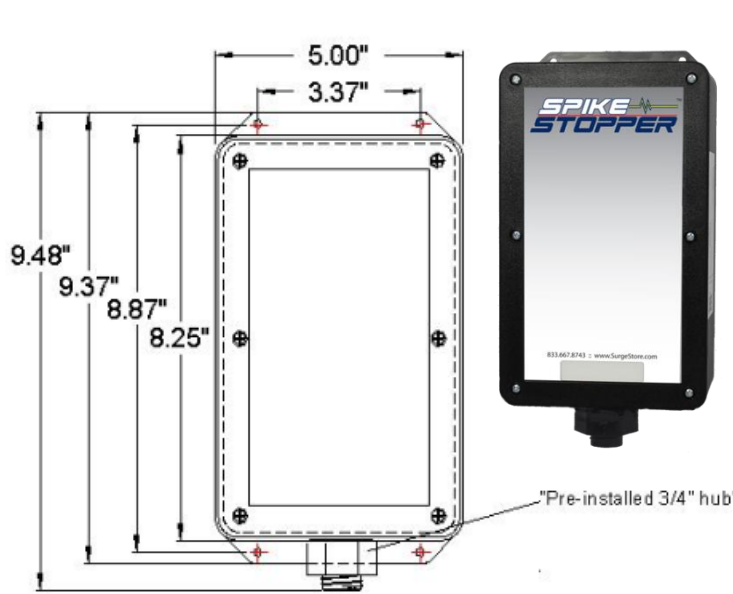
Spike Stopper™ 100 kA

Application: Commercial and Industrial

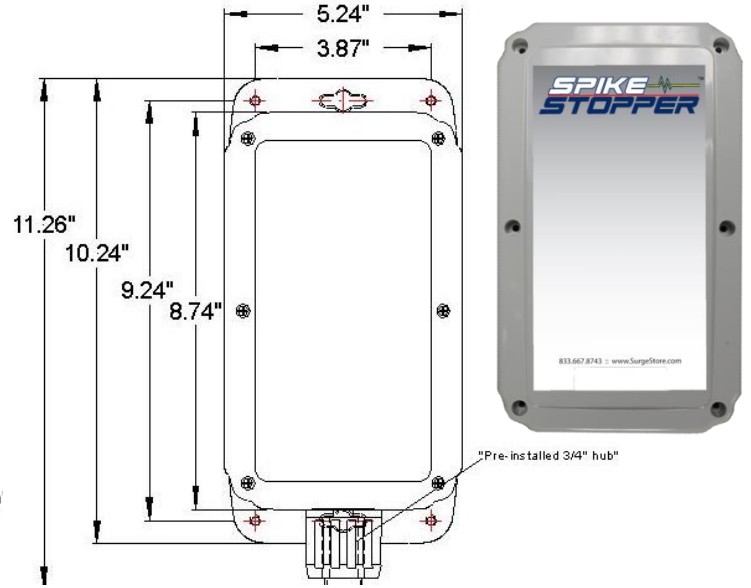


Enclosure Options

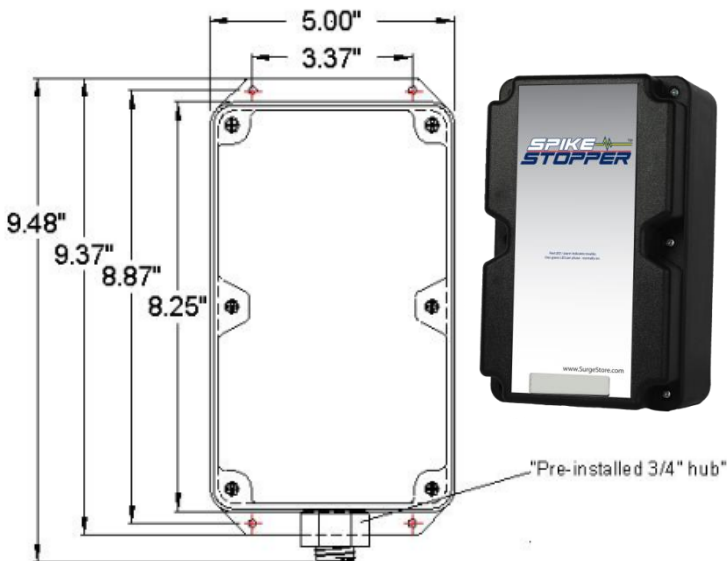
Indoor Enclosure with LED, Dry Relay Contacts, no alarm, and/or Surge Eraser™ Technology



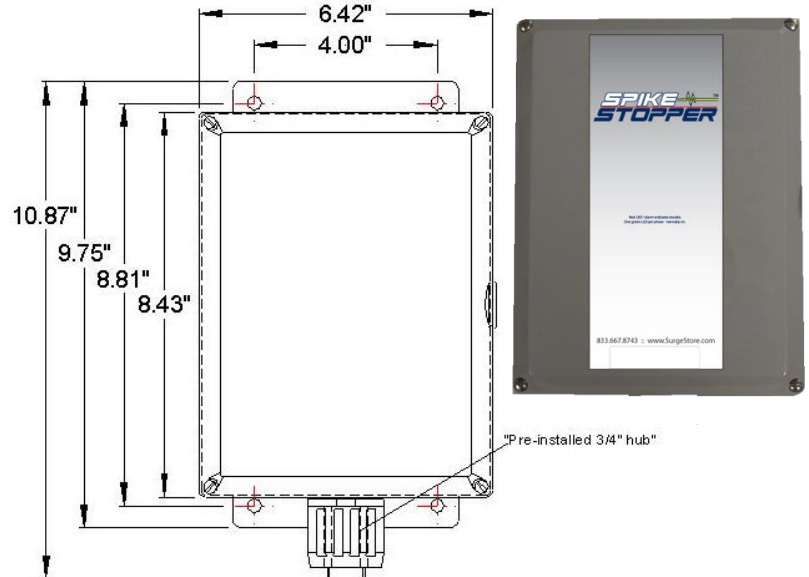
Outdoor Enclosure containing only LED, Dry Relay Contacts, and/or Surge Eraser™ Technology



Indoor Enclosure with Basic or Advanced Alarm and/or Surge Counter and/or Surge Eraser™ Technology



Outdoor Enclosure with Basic or Advanced Alarm and/or Surge Counter and/or Surge Eraser™ Technology



surgestore.com

PO Box 15732, Brooksville, FL 34604

SS05488--Rev Date 8/28/2018